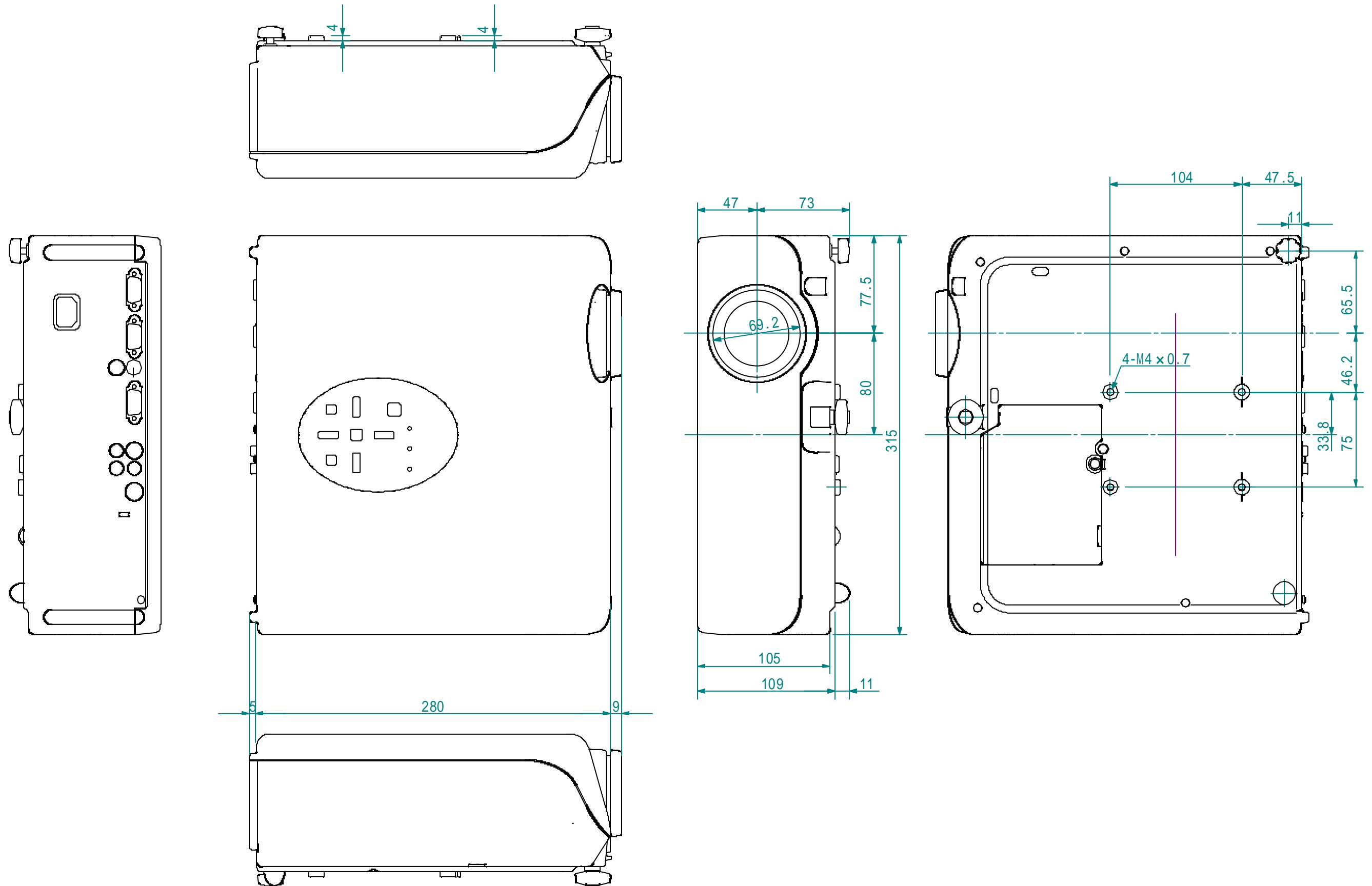


| | | | | |
|------|-----|-------|--|----|
| 处理加工 | | 图面订正欄 | | |
| 符号 | 年月日 | 订正要領 | | 担当 |
| | | | | |
| | | | | |



| | | | | | | | |
|-----------|--------|--------|-----------|---------|----------------|-------|---------------------|
| 映機工業株式会社 | | | APPROVE | CHECKED | DESIGNED | DRAWN | PART NAME/PART NAME |
| PLOT DATE | 05/8/3 | SCALE | 1/3 | | | | EIP-2500/3000Na |
| MATERIAL | UNIT | WEIGHT | PART CODE | | DRAWING NUMBER | | |
| | | | | | | | |