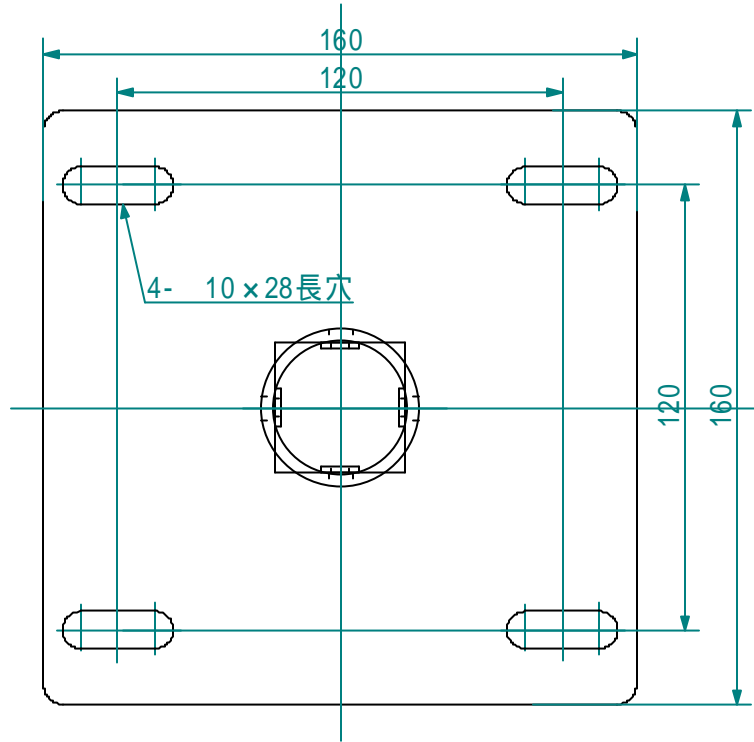
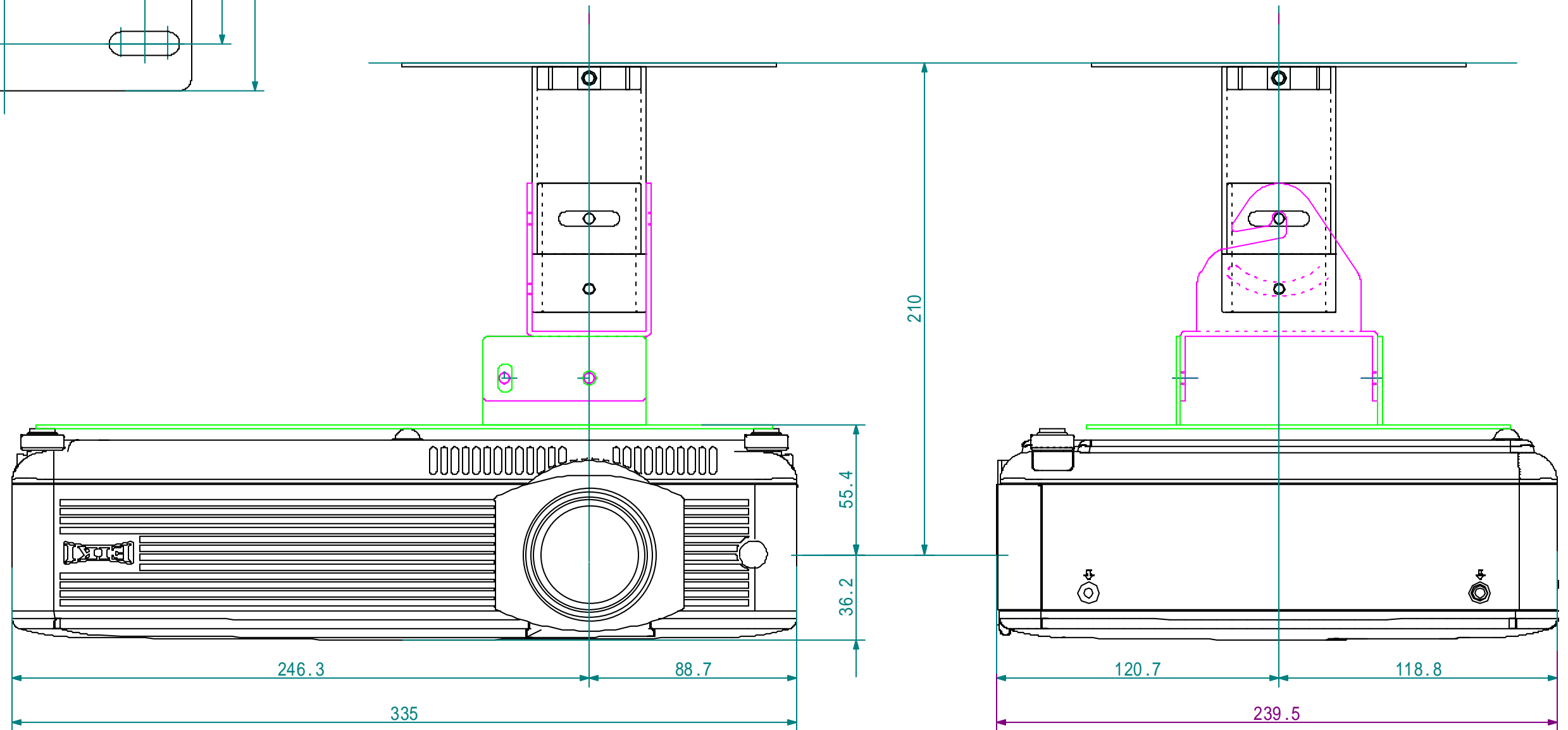


| | | | | |
|------|-----|-------|----|--|
| 処理加工 | | 図面訂正欄 | | |
| 符号 | 年月日 | 訂正要領 | 担当 | |
| | | | | |
| | | | | |



スラブ取付板



| | | | | | | | |
|-----------|---------|--------|-----------------|---------|----------|----------------|---------------------|
| 映機工業株式会社 | | | APPROVE | CHECKED | DESIGNED | DRAWN | PART NAME/PART NAME |
| PLOT DATE | 07/10/2 | SCALE | 1/2 | | | | 直付け外觀図 |
| MATERIAL | UNIT | WEIGHT | PART CODE | | | DRAWING NUMBER | |
| | | | CMU-LC-XB31/33D | | | BX-13251 | |