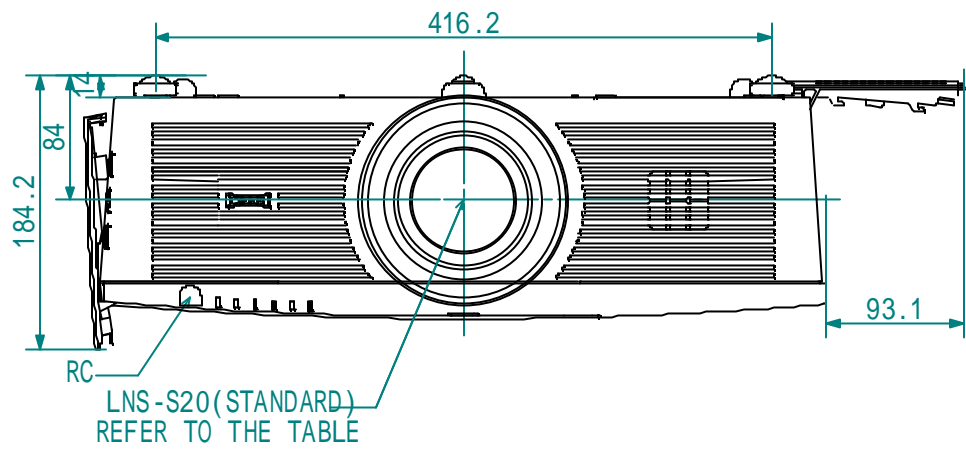


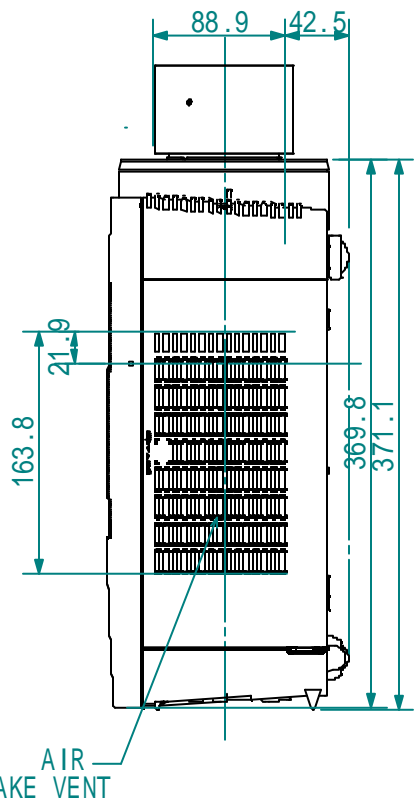
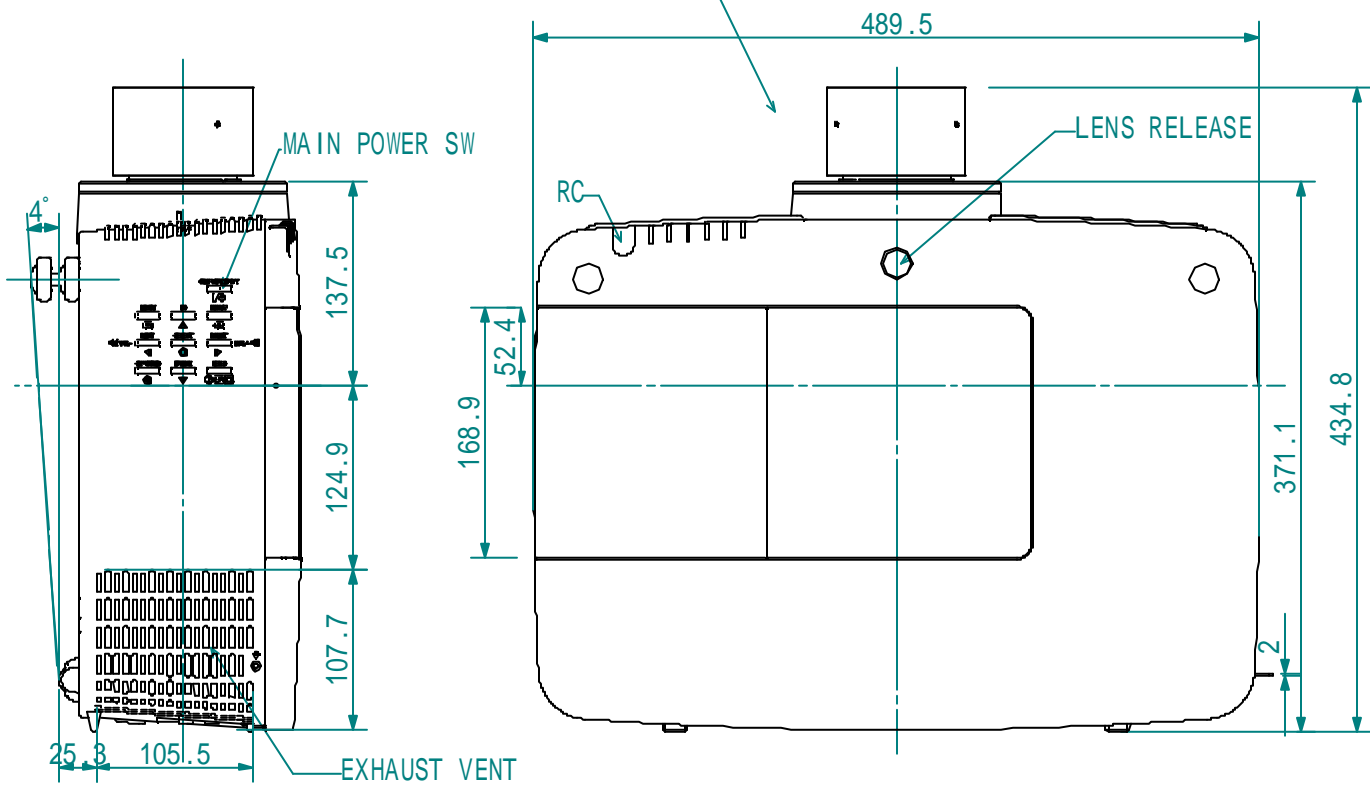
処理加工	図面訂正欄		
	符号	年月日	訂正要領
			担当

※

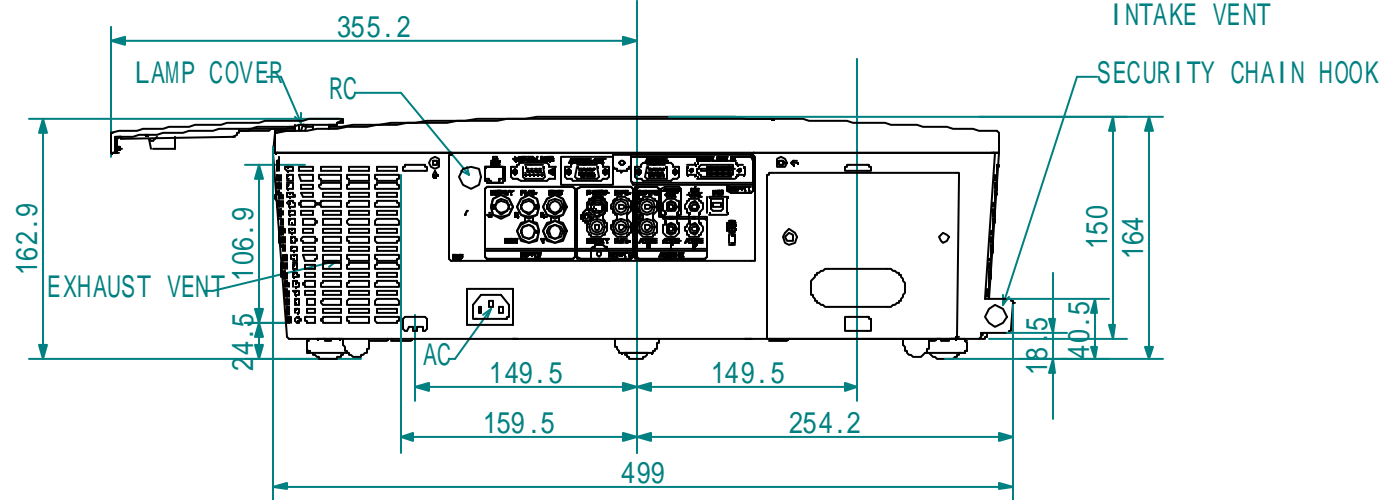
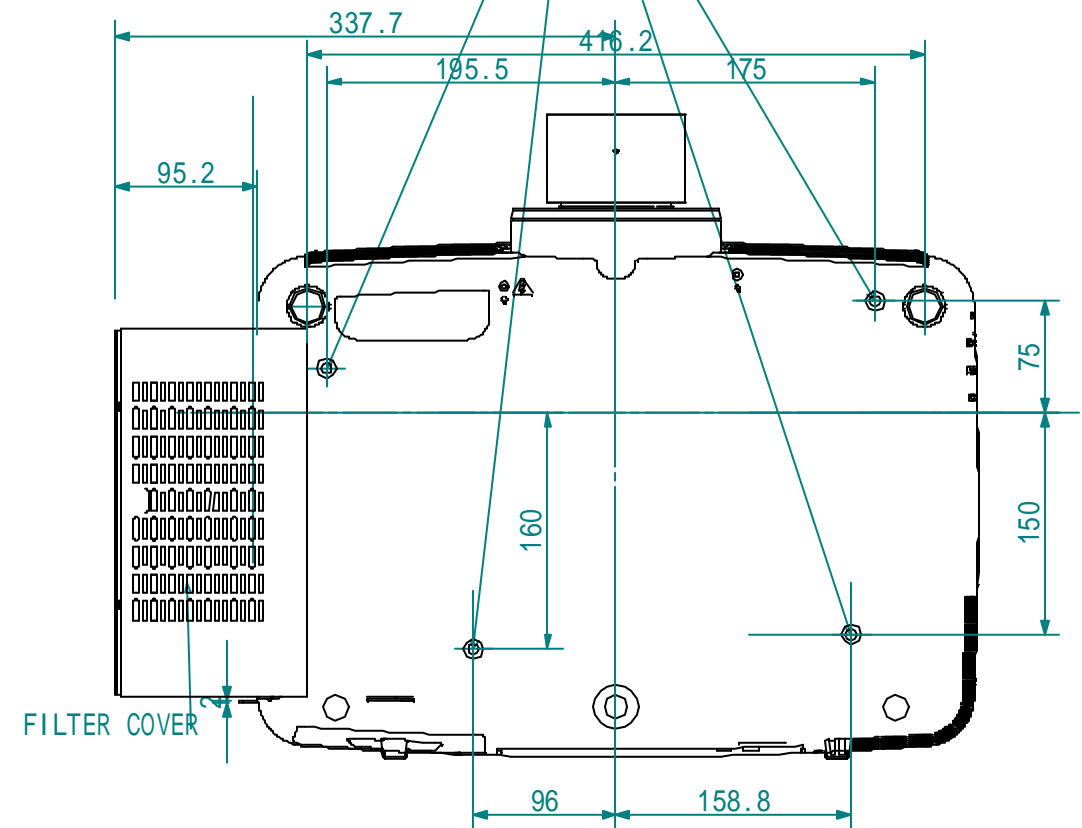
LENS	A (TELE)	B (WIDE)
LNS-S20	63.7(Fixed)	
LNS-T20	88.1(Fixed)	
LNS-T21	84.3(Fixed)	
LNS-W20	83.5(Fixed)	
LNS-W21	53.9(Fixed)	



REFER TO THE TABLE



4-M6mm DIAMETER DEPTH MAX 10mm



映機工業株式会社			APPROVE	CHECKED	DESIGNED	DRAWN	PART NAME/PART NAME
PLOT DATE	09/10/2	SCALE	1/5			内田	外觀寸法図
MATERIAL	UNIT	WEIGHT	PART CODE			DRAWING NUMBER	
			LC-XL200DL				