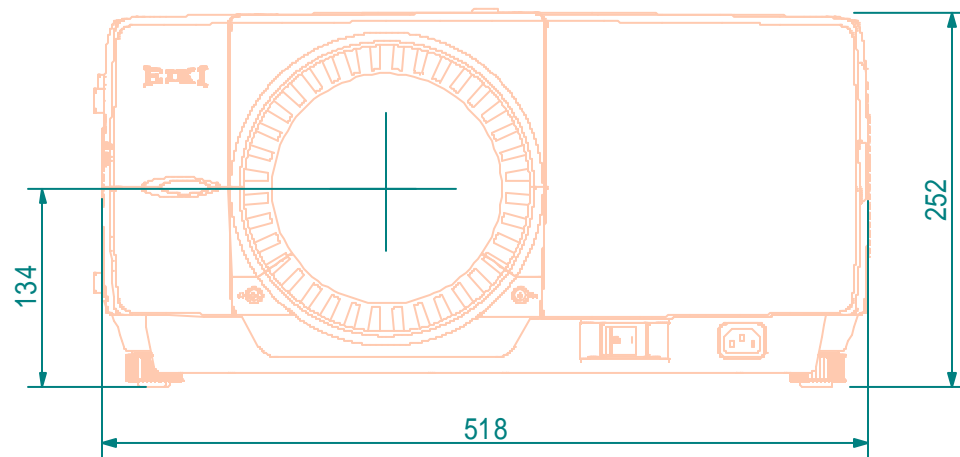
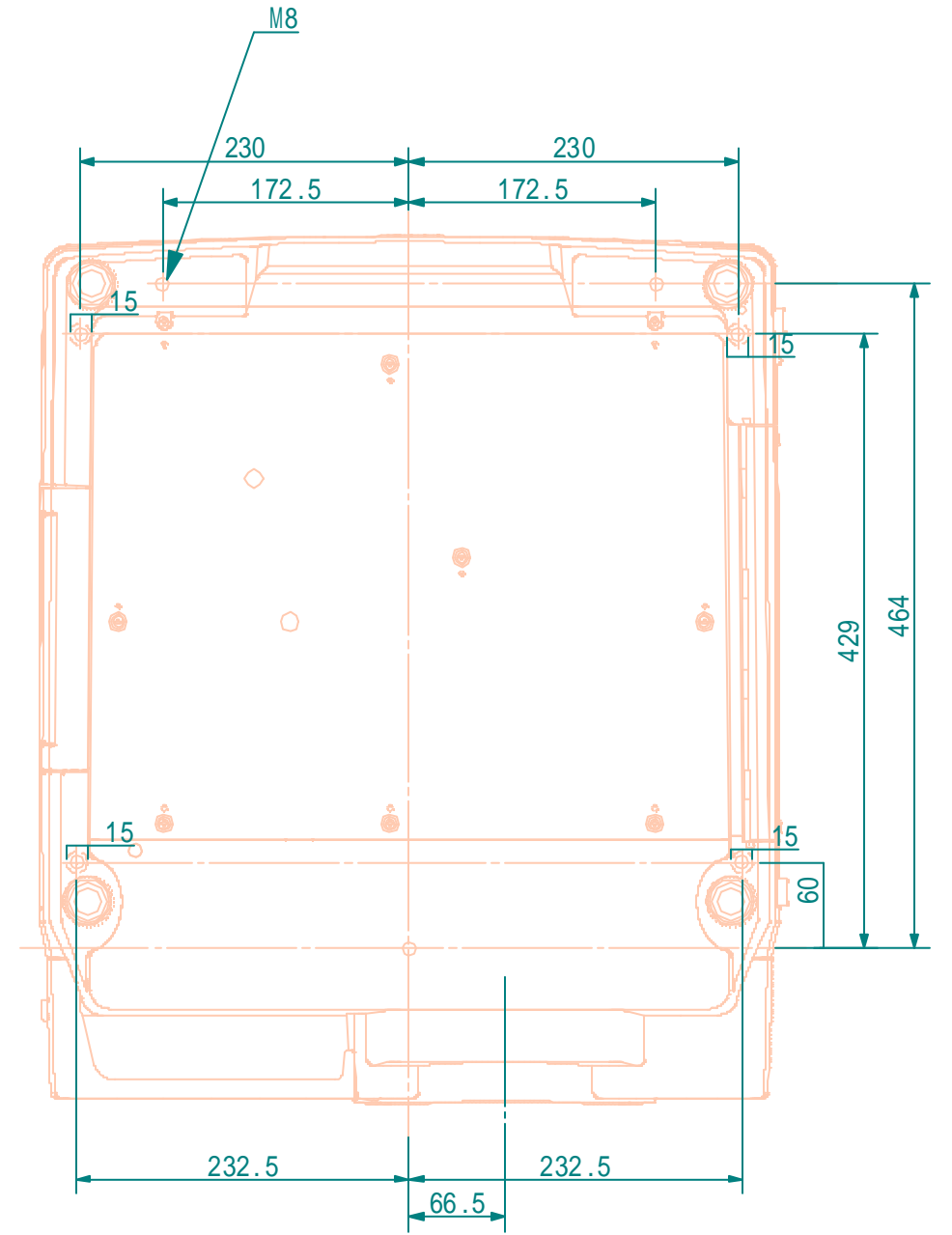
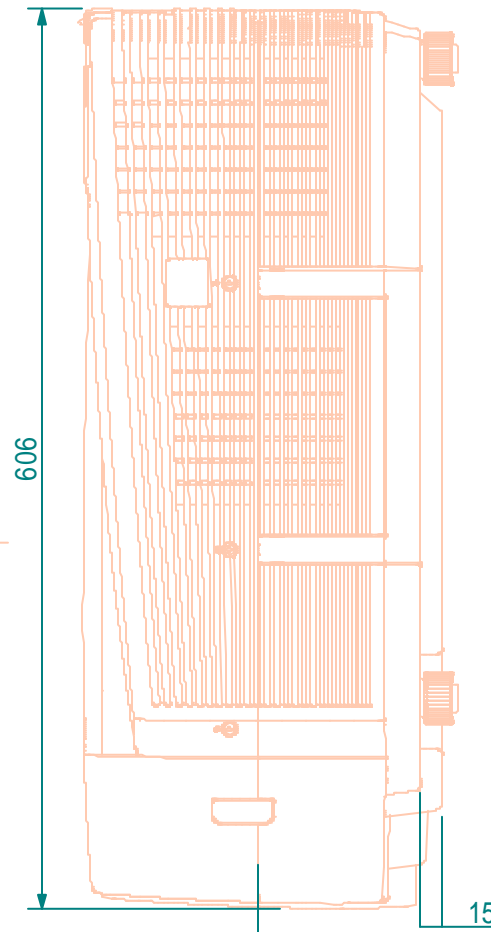
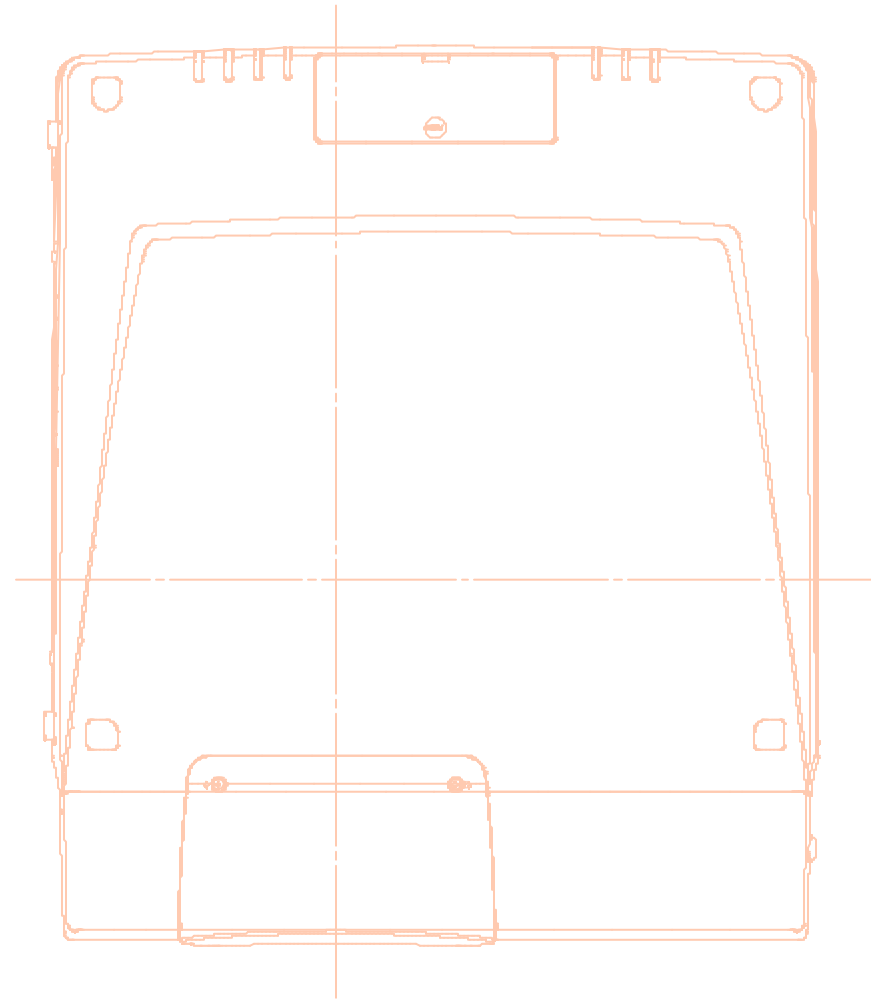
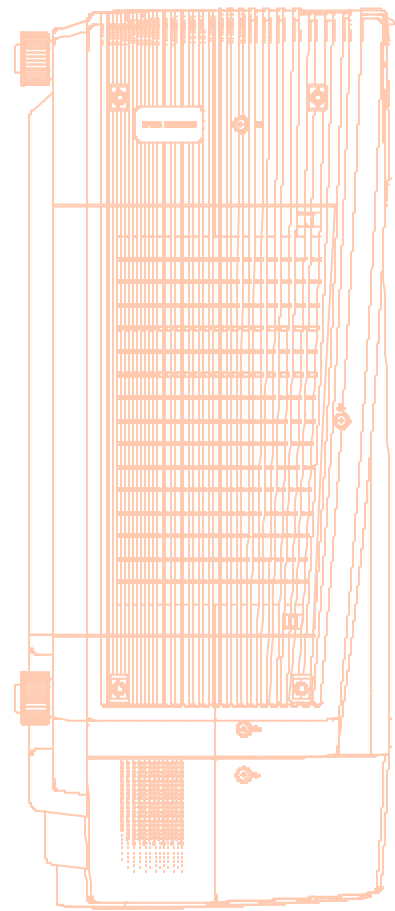
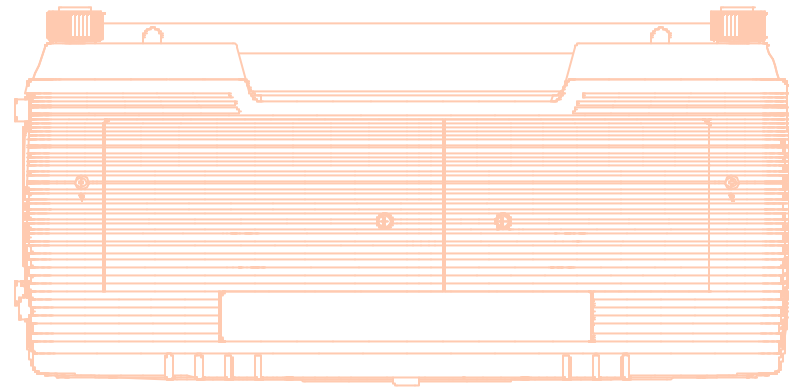


処理加工

図面訂正欄

| | | | |
|----|-----|------|----|
| 符号 | 年月日 | 訂正要領 | 担当 |
| | | | |
| | | | |



| | | | | | | | |
|-----------|----------|--------|-----------|---------|----------------|-------|---------------------|
| 映機工業株式会社 | | | APPROVE | CHECKED | DESIGNED | DRAWN | PART NAME/PART NAME |
| PLOT DATE | 04/11/10 | SCALE | 1/5 | | | | LC-X6DA/SX6DA |
| MATERIAL | UNIT | WEIGHT | PART CODE | | DRAWING NUMBER | | |
| | | | | | | | |